



## SHURITE ANALOG METERS PRESENTS THE KLY SERIES OF HIGH PRECISION ANALOG ELECTRICAL METERS

### IMPROVED FEATURES:

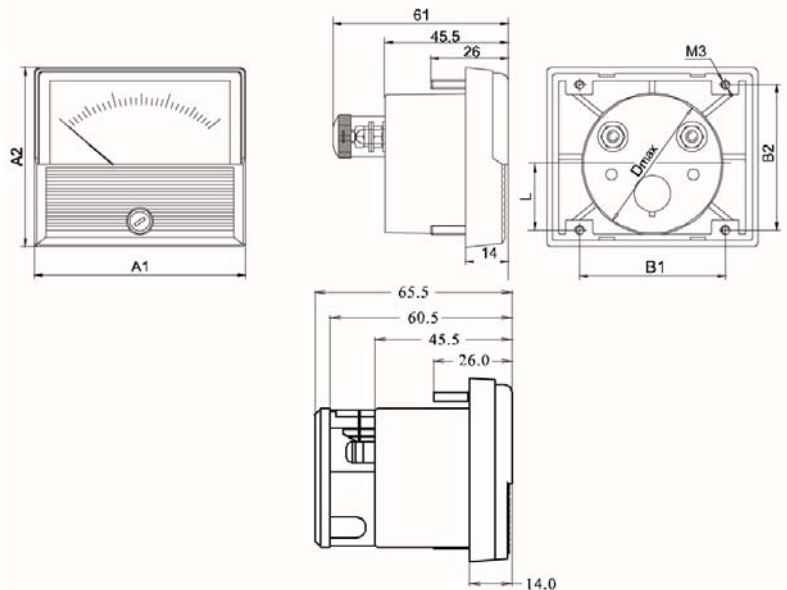
- Better Accuracy (1.5% to 2.5% versus 5% on current meters)
- Cost effective: KLY meters are priced similarly to current products
- Improved versatility: Meters are available in multiple sizes and suitable for a wide array of applications including power distribution facilities, automated test equipment, machine controls, and many others
- Increased durability: Meters are dust/splash-proof and constructed with non-combustible plastic

### CALL TODAY TO DISCUSS YOUR APPLICATION!

Contact John Bourgoin  
Commercial Sales Engineer  
203-481-5721 x123  
jbourgoin@primetechnology.com



### KLY Series Specifications



#### Size of Square or Rectangular with Round Panel Cutout Meter

Type	Unit	A1	A2	B1	B2	Dmas	L	Cutout
KLY-8100	mm	100	83	80	64	47.5	21.5	48.5
	In	3.94	3.27	3.15	2.52	1.87	0.85	1.91
KLY-80	mm	80	80	64	64	46.5	24.65	47.5
	In	3.15	3.15	2.52	2.52	1.83	0.97	1.87
KLY-780	mm	80.6	68.1	64	48	46.5	16.2	47.5
	In	3.17	2.68	2.52	1.89	1.83	0.64	1.87
KLY-670	mm	68.5	57.5	48	48	46.5	21.8	47.5
	In	2.7	2.26	1.89	1.89	1.83	0.86	1.87
KLY-60	mm	61	61	48	48	46.5	21.45	47.5
	In	2.4	2.4	1.89	1.89	1.83	0.85	1.87
KLY-560	mm	58	47.8	36	36	43	18	44
	In	2.28	1.88	1.42	1.42	1.69	0.71	1.73
KLY-50	mm	50	50	36	36	43	18	44
	In	1.99	1.99	1.42	1.42	1.69	0.71	1.73

Shurite Meters  
A division of Prime Technology, LLC.  
344 Twin Lakes Rd, P.O. Box 185  
North Branford, CT 06471  
www.primetechnology.com