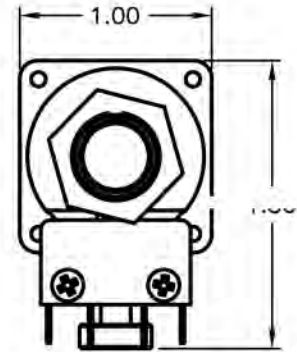
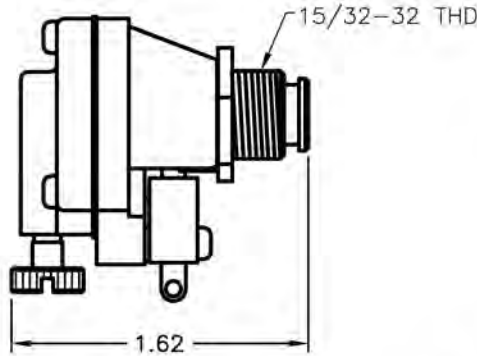


MODEL LPT

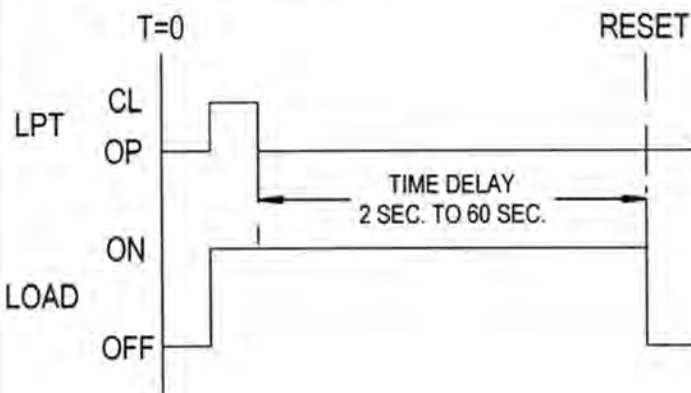
PNEUMATICALLY OPERATED TIMER

10 AMP RATED SPDT – DOUBLE BREAK PUSHBUTTON ACTUATED

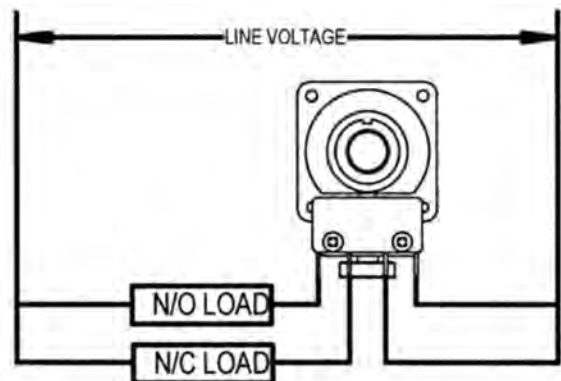


The LPT is a compact pneumatically operated time delayed pushbutton switch. It is conveniently mounted to a panel from the rear thru a .484 diameter hole, being secured with the hardware provided. The mode of operation matches that of an True Off Delay in that no power is required to keep the time delay active after the pushbutton is released. The timer occupies a volume of less than 2.5 cubic inches. The timer will switch loads of 10 amps resistive at 120/240 VAC. The load switch has solder terminals for wiring. Standard timing is slotted screw adjustable from 2 seconds to 60 seconds.

TYPICAL TIMING



TYPICAL WIRING



MADE IN USA



American Control Products / Precision Timer
a division of Prime Technology
344 Twin Lakes Road
North Branford, CT 06471
Telephone: (203) 481-5721
Fax: (203) 481-8937
Email: sales@primetechnology.com
www.primetechnology.com

TECHNICAL BULLETIN

PNEUMATICALLY ACTUATED TIMER

PAGE 1
OF 2

DATE
12/30/03

LPT

REV

SPECIFICATIONS

- 1. LOAD CURRENT: 10 AMPS RESISTIVE AT 120 – 240 VAC**
- 2. OPERATING FORCE: 8 OUNCES MAXIMUM (227 GRAMS)**
- 3. TOTAL TRAVEL: 1/8 "**
- 4. TIME RANGE: 2 SECOND TO 60 SECOND STANDARD \pm 15%**
- 5. REPEAT ACCURACY: \pm 10%**
- 6. MECHANICAL LIFE EXPECTANCY: 1,000,000 OPERATIONS**
- 7. TEMPERATURE AMBIENT: OPERATING +15°F TO +120°F (-9°C TO 49°C)**

MADE IN USA



American Control Products / Precision Timer
a division of Prime Technology
344 Twin Lakes Road
North Branford, CT 06471
Telephone: (203) 481-5721
Fax: (203) 481-8937
Email: sales@primetechnology.com
www.primetechnology.com

TECHNICAL BULLETIN

PNEUMATICALLY ACTUATED TIMER

**PAGE 2
OF 2**

**DATE
12/30/03**

LPT

REV